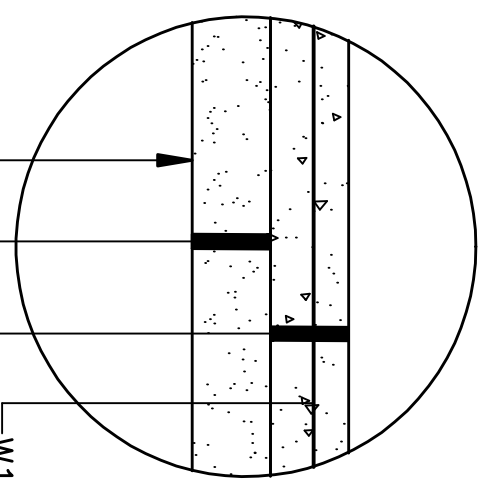


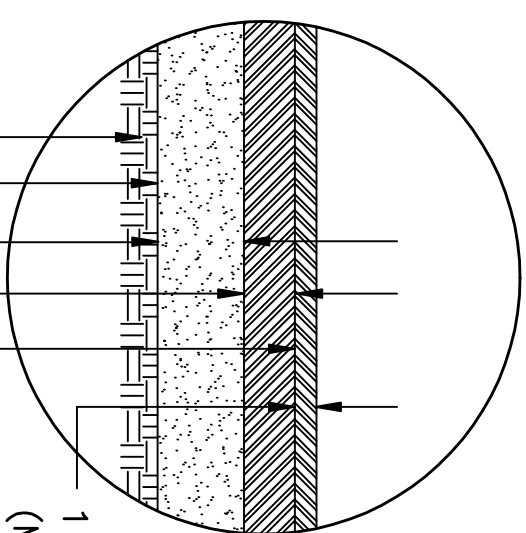
4" CONC. (MIX NO. 3A32)  
(MANDOT SPEC 2521)  
6" AGGREGATE BASE, CL. 5  
(MANDOT SPEC 2211)  
COMPACTED SUBGRADE

**4" CONCRETE SIDEWALK**  
NOT TO SCALE



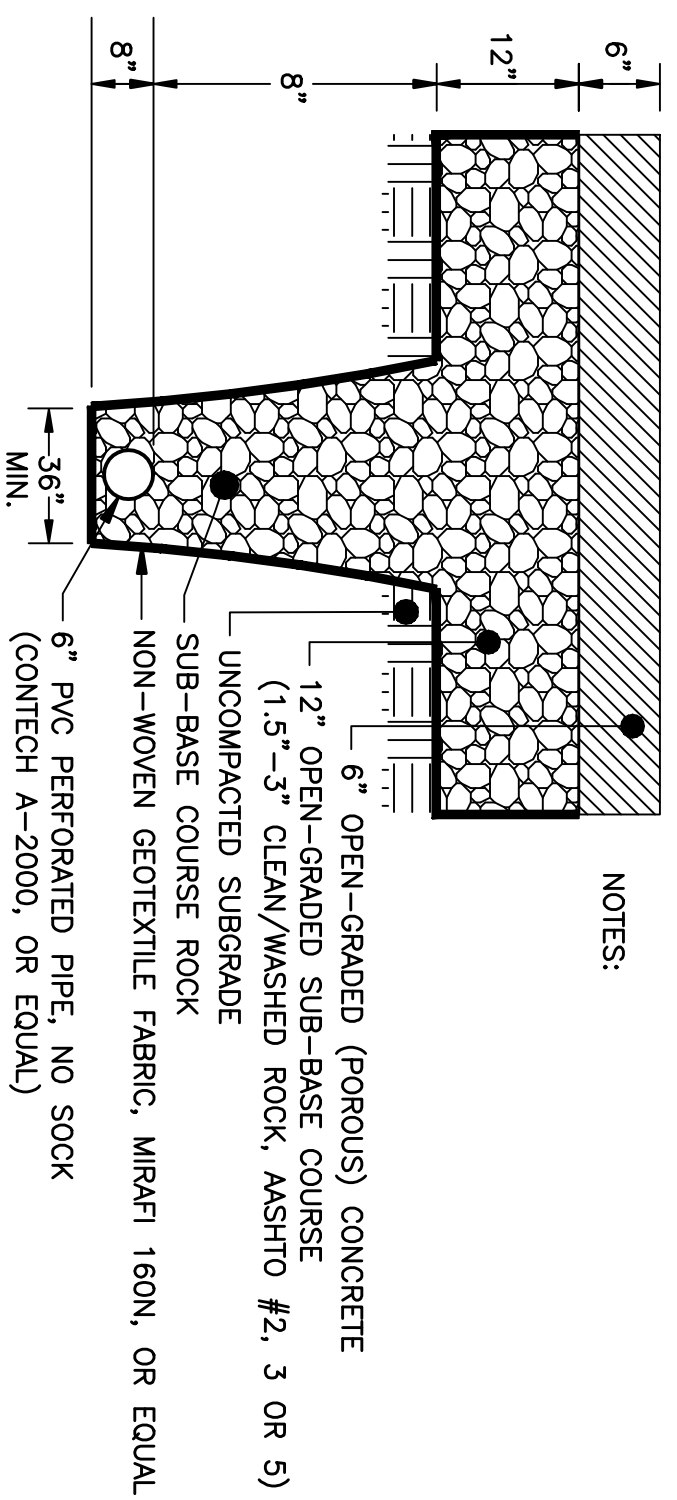
W14XW14 WELDED WIRE FABRIC  
10" CONC. (MIX NO. 3A32)  
(MANDOT SPEC 2521)  
12" AGGREGATE BASE, CL. 5  
(MANDOT SPEC 2211)  
COMPACTED SUBGRADE

**10" SLAB ON GRADE**  
NOT TO SCALE



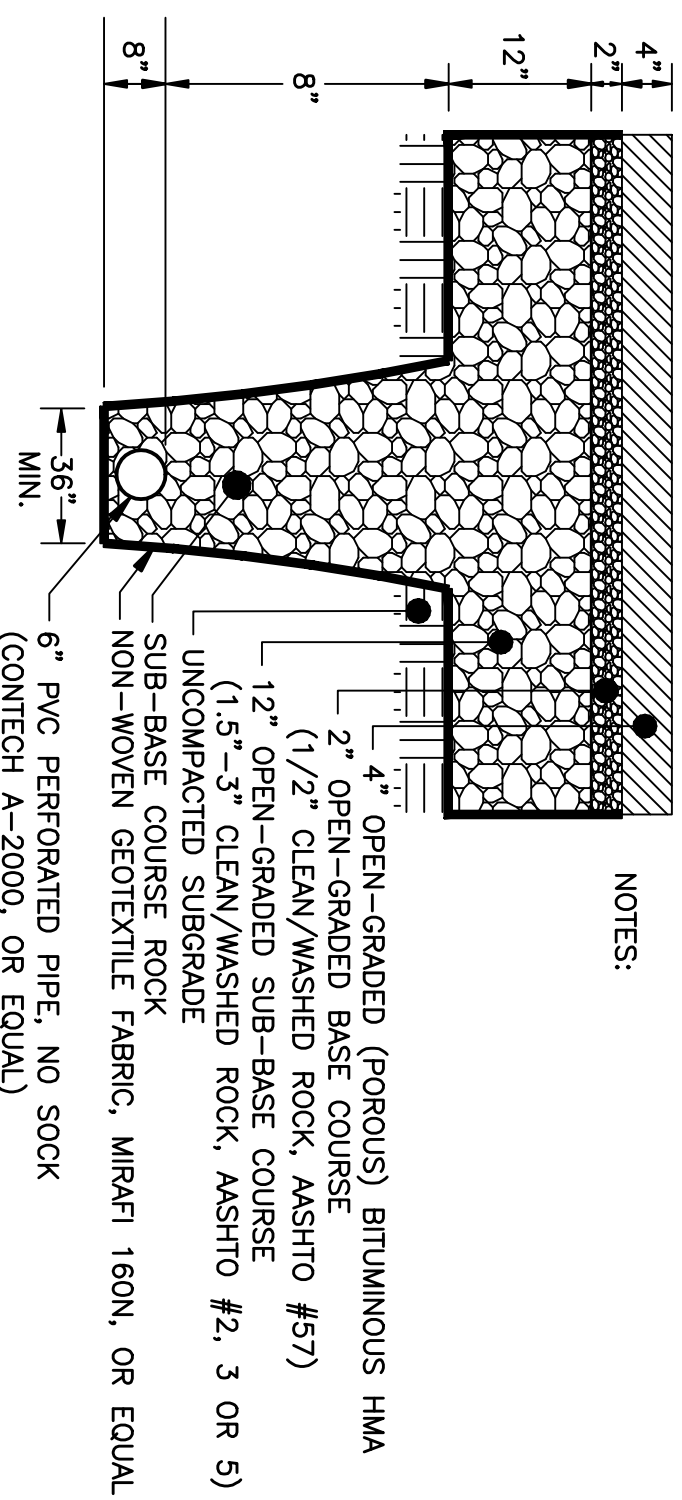
1 1/2" BITUMINOUS WEARING COURSE  
(MANDOT 2360)(TYPE LV4 WEARING COURSE MIX B)(LWWE45030B)  
BITUMINOUS TACK COAT  
3" BITUMINOUS BASE COURSE  
(MANDOT 2360)(TYPE LV3 NON-WEARING MIX B)(LVMW35030B)  
10" MODIFIED CLASS 5 AGGREGATE BASE  
(100% CRUSHED LIMESTONE)(CLASS 7 RECYCLED WILL BE ALLOWED FROM AN APPROVED SOURCE)  
GEOTEXTILE FABRIC  
PREPARED SUBGRADE

**TYPICAL SECTION-PARKING LOT**  
NOT TO SCALE



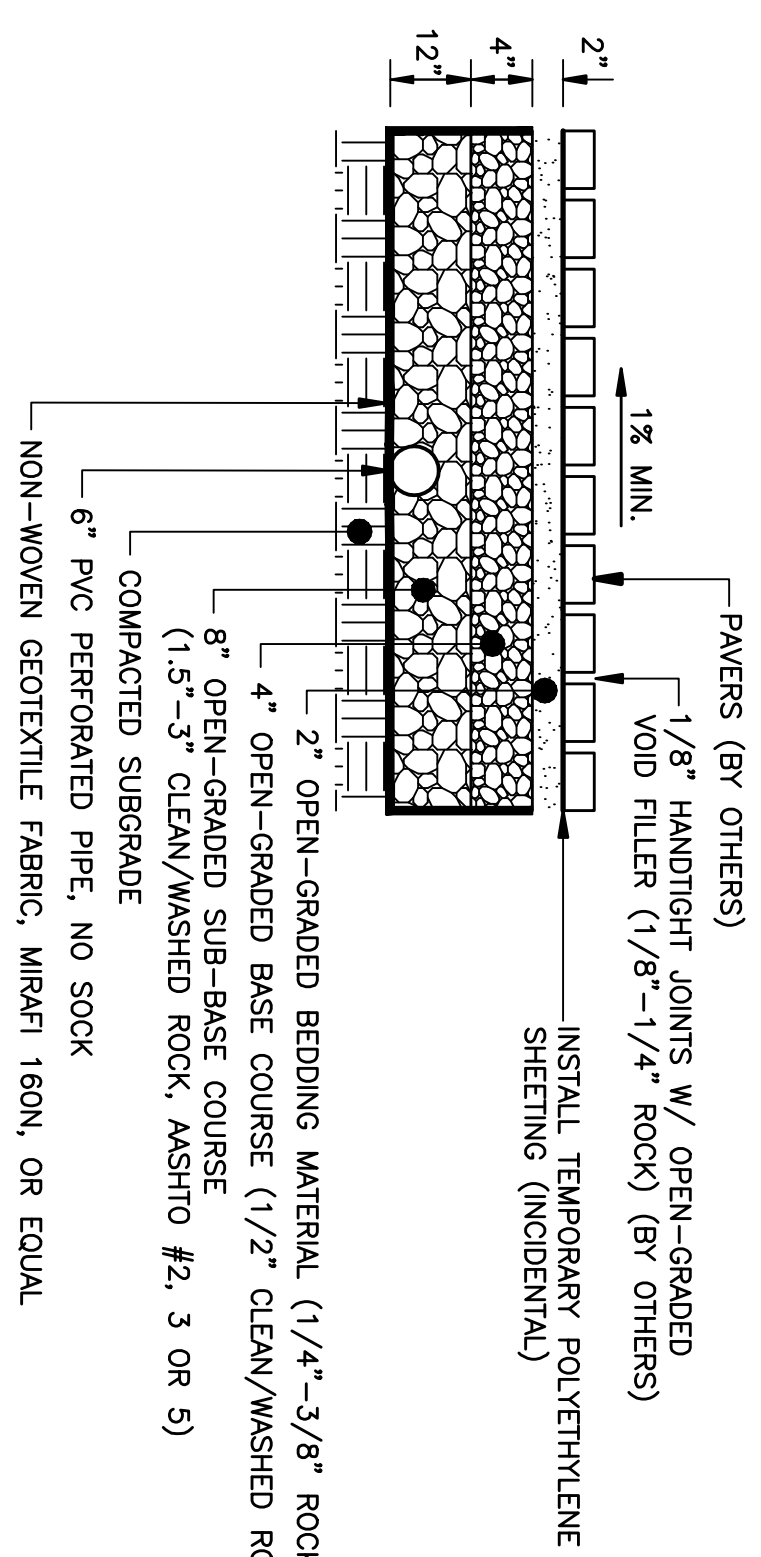
6" OPEN-GRADED (POROUS) CONCRETE  
12" OPEN-GRADED SUB-BASE COURSE  
(1.5"-3" CLEAN/WASHED ROCK, ASHTO #2, 3 OR 5)  
UNCOMPACTED SUBGRADE  
SUB-BASE COURSE ROCK  
NON-WOVEN GEOTEXTILE FABRIC, MIRAFI 180N, OR EQUAL  
6" PVC PERFORATED PIPE, NO SOCK  
(CONTECH A-2000, OR EQUAL)

**PERVIOUS CONCRETE SECTION ALTERNATE**  
NOT TO SCALE



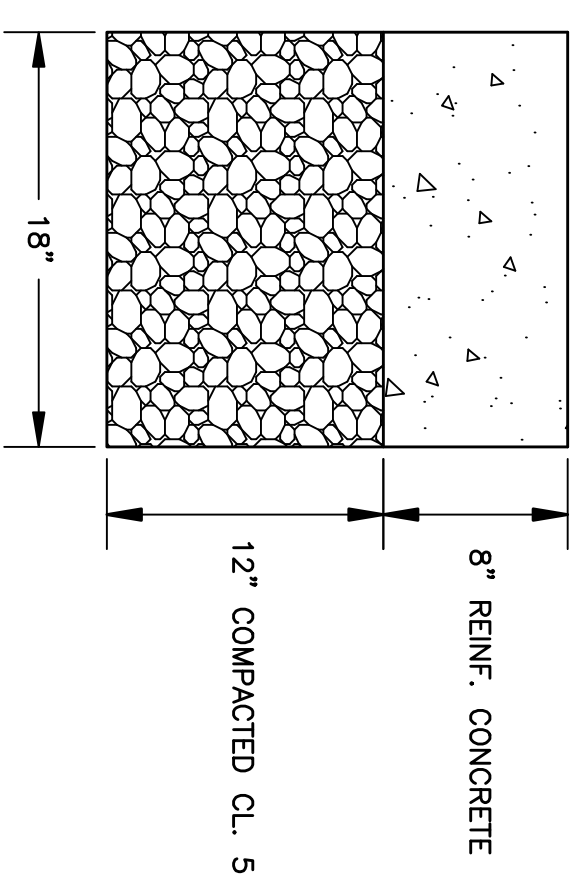
4" OPEN-GRADED (POROUS) BITUMINOUS HMA  
2" OPEN-GRADED BASE COURSE  
(1/2" CLEAN/WASHED ROCK, ASHTO #57)  
12" OPEN-GRADED SUB-BASE COURSE  
(1.5"-3" CLEAN/WASHED ROCK, ASHTO #2, 3 OR 5)  
UNCOMPACTED SUBGRADE  
SUB-BASE COURSE ROCK  
NON-WOVEN GEOTEXTILE FABRIC, MIRAFI 180N, OR EQUAL  
6" PVC PERFORATED PIPE, NO SOCK  
(CONTECH A-2000, OR EQUAL)

**PERVIOUS BITUMINOUS SECTION ALTERNATE**  
NOT TO SCALE



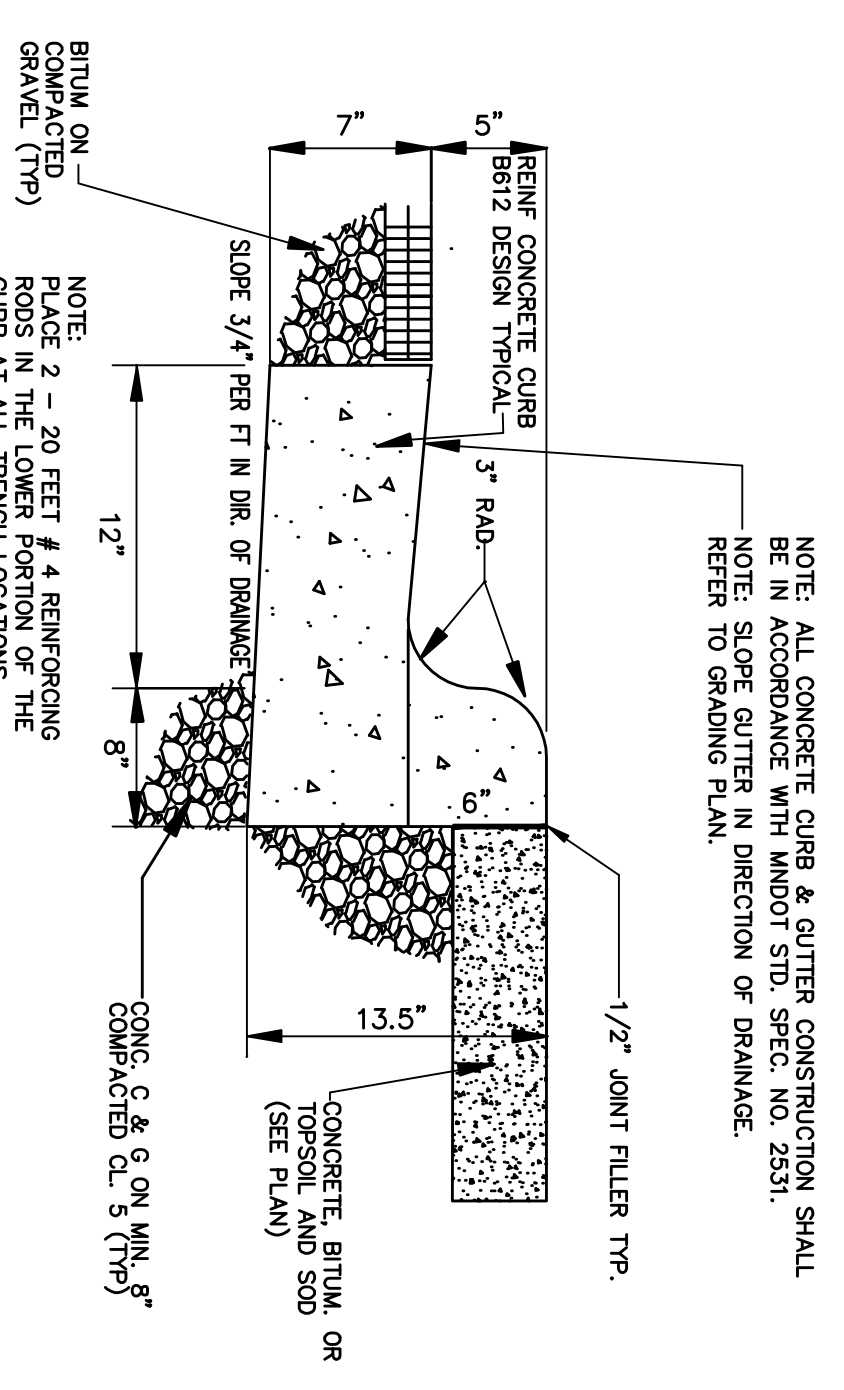
PAVERS (BY OTHERS)  
1/8" VOID FILLER (1/8"-1/4" ROCK) (BY OTHERS)  
INSTALL TEMPORARY POLYETHYLENE SHEETING (INCIDENTAL)  
2" OPEN-GRADED BEDDING MATERIAL (1/4"-3/8" ROCK, ASHTO #8)  
8" OPEN-GRADED SUB-BASE COURSE (1/2" CLEAN/WASHED ROCK, ASHTO #57)  
(1.5"-3" CLEAN/WASHED ROCK, ASHTO #2, 3 OR 5)  
COMPACTED SUBGRADE  
6" PVC PERFORATED PIPE, NO SOCK  
NON-WOVEN GEOTEXTILE FABRIC, MIRAFI 180N, OR EQUAL

**3" HIGH PERVIOUS PAYER SECTION**  
NOT TO SCALE



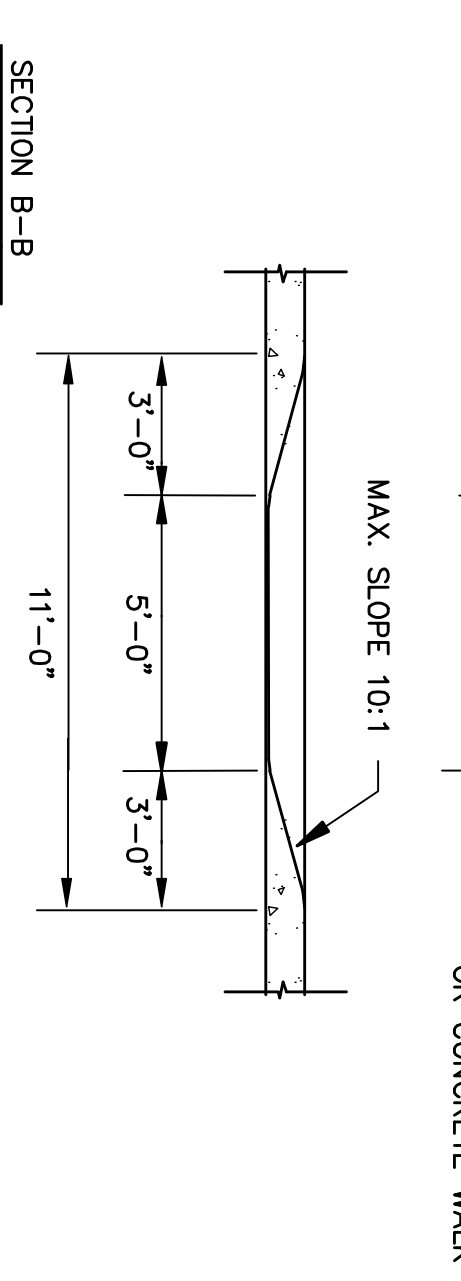
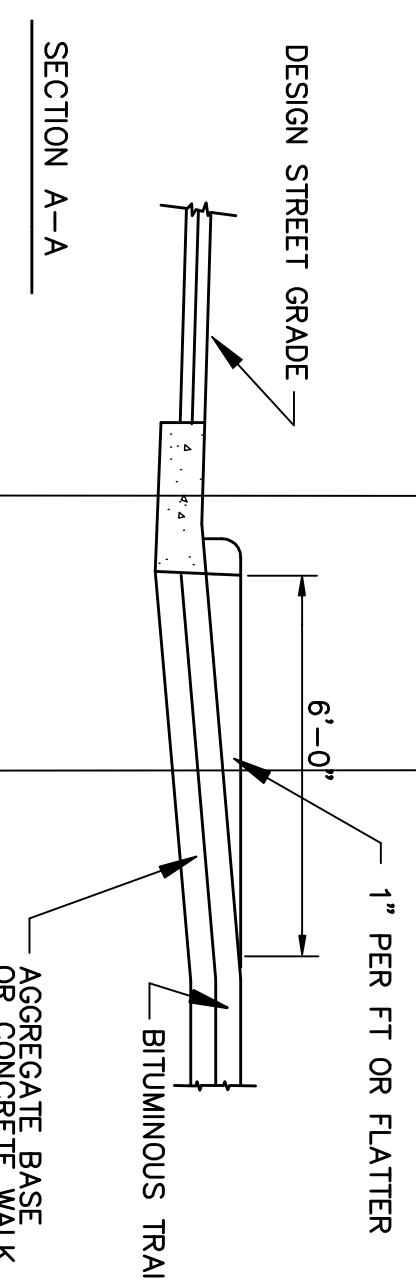
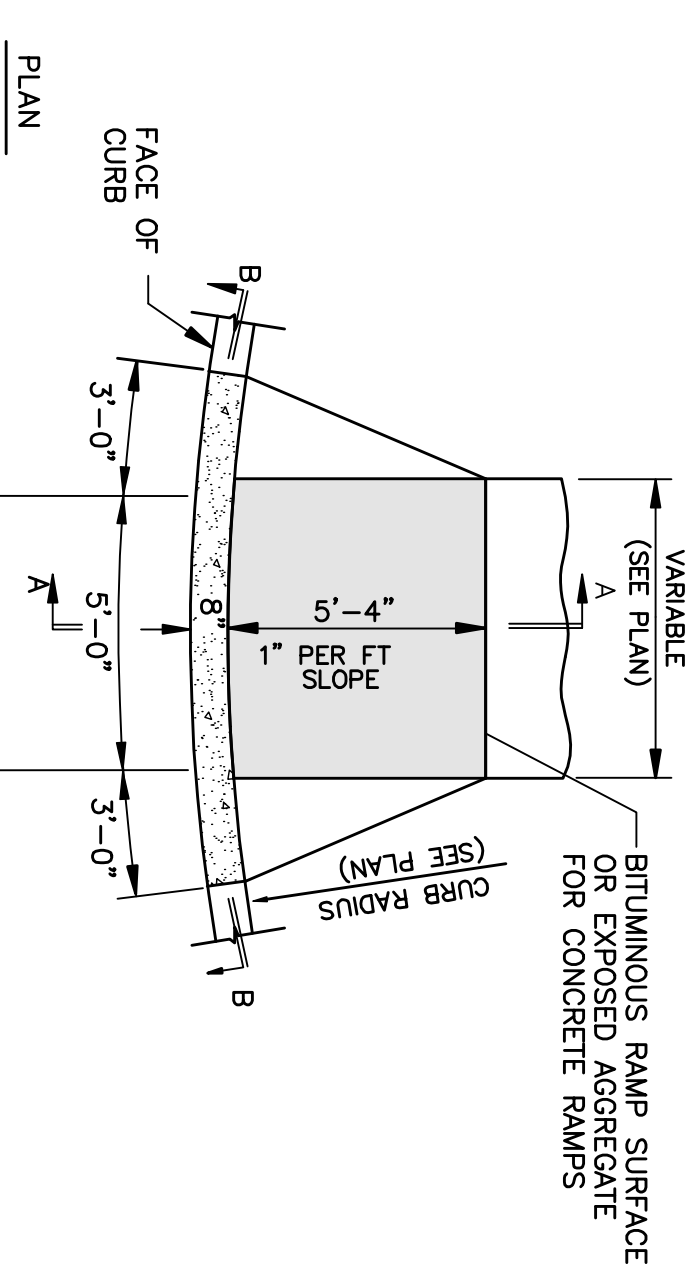
NOTE: 2 - 20 FEET # 4 REINFORCING RODS IN THE LOWER PORTION OF THE CURB AT ALL TRENCH LOCATIONS.

**RIBBON CURB DETAIL**  
NOT TO SCALE



**B-612 CONCRETE CURB & GUTTER**  
NOT TO SCALE

NOTE: ALL CONCRETE CURB & GUTTER CONSTRUCTION SHALL BE IN ACCORDANCE WITH MANDOT SPEC. NO. 251.  
NOTE: SLOPE GUTTER IN DIRECTION OF DRAINAGE.  
REFER TO GRADING PLAN.



**PEDESTRIAN RAMP**  
NOT TO SCALE

0 50 100  
SCALE  
FEET

I HEREBY CERTIFY THAT THIS PLAN, SPECIFICATION, OR REPORT WAS PREPARED BY ME OR UNDER MY SUPERVISION AND THAT I AM A LICENSED PROFESSIONAL ENGINEER REGISTERED UNDER THE LAWS OF THE STATE OF MINNESOTA.  
DANIEL A. LONNES  
LIC. NO. 42779 DATE: 05/05/2009

DESIGNED: D.A.L./D.M.P.  
DRAWN: D.O.S.  
CHECKED: D.A.L.  
**BOLTON & MENK, INC.**  
Consulting Engineers & Surveyors  
MANKATO, MN FARMONT, MN SLEEPY EYE, MN WILLMAR, MN  
BURNSVILLE, MN CHASKA, MN RAMSEY, MN AMES, IA

REV. BY DATE  
SHAKOPEE MDEWAKANTON SIOUX COMMUNITY  
GOVERNMENT CENTER PERVIOUS PAVEMENT PARKING LOT  
CIVIL DETAILS